



SPDRO Phase Locked Standard Sources

S-1006A



FREQUENCY: 3.6 GHz

FEATURES

- Single Loop, Locks to 600 MHz Ref
- Ultra Low Phase Noise
- 100 dBc Spurious
- Very low Microphonics
- Zero Phase Hits
- Wide Operating Temperature Range
- Low DC Power Consumption
- Low Profile, Small Size
- Meets MIL-STD-188 and IESS 308

APPLICATIONS

- SATCOM Converters
- Digital Radio to 512 QAM
- Instrumentation
- OEM Products

GENERAL DESCRIPTION

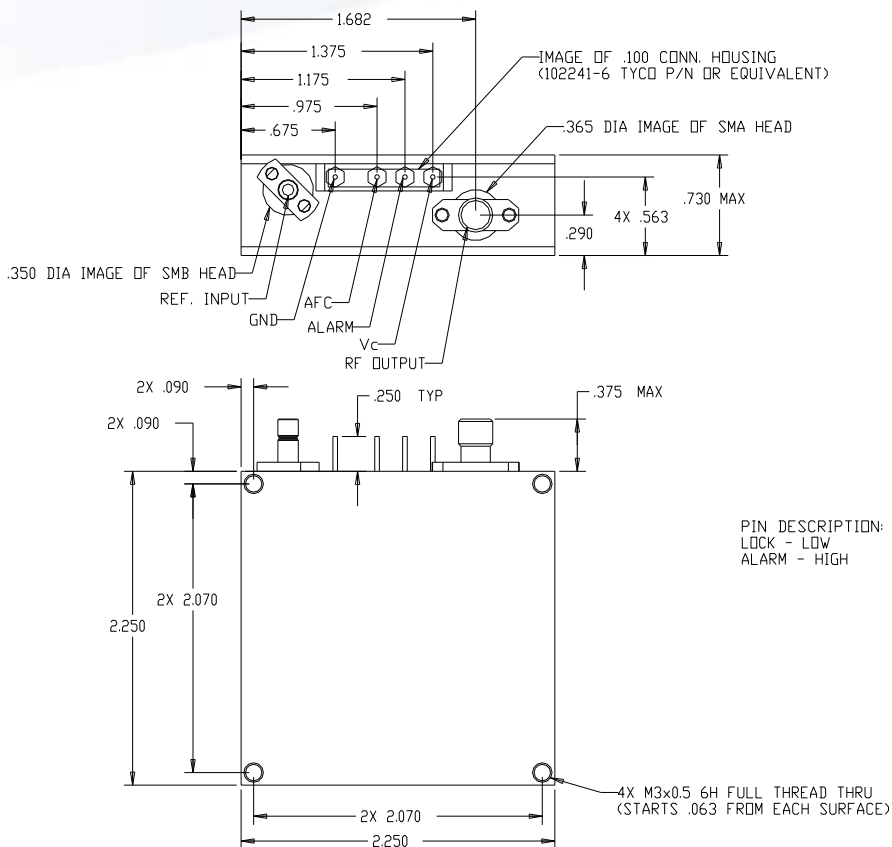
FEI-Elcom Tech's miniature SPDRO sources employ a unique technique to phase-lock a microwave DRO to a 600 MHz crystal reference. The technique utilizes a single loop for reliable phase-lock performance. By using one loop, size, power consumption and cost are minimized. These units are ideal for digital Radio, SATCOM and instrumentation.



SPECIFICATIONS

Output Frequency	3.6 GHz
Output Power	1 to 3 dBm
Input Reference	600 MHz
Reference Level	11 to 15 dBm
Spurious	<-80 dBc
Phase Noise [dBc]	
1 KHz offset	-121 dBc/Hz
10 KHz offset	-128 dBc/Hz
100 KHz offset	-135 dBc/Hz
Power Supply	+12 Volts
Current Consumption	< 300 mA
Operating Temperature	-25° C to 65° C
Size	2.25"X2.25"X0.73"
Alarm Options	TTL logic "low" – locked

OUTLINE DRAWING



FOR ADDITIONAL INFORMATION CONTACT
sales@fei-elcomtech.com

***Export of FEI-Elcom Tech products is subject to U.S. export controls. Licenses may be required.*